

TransCast DVB Live

VBI Closed Captions (Teletext) to DVB subtitle decoder

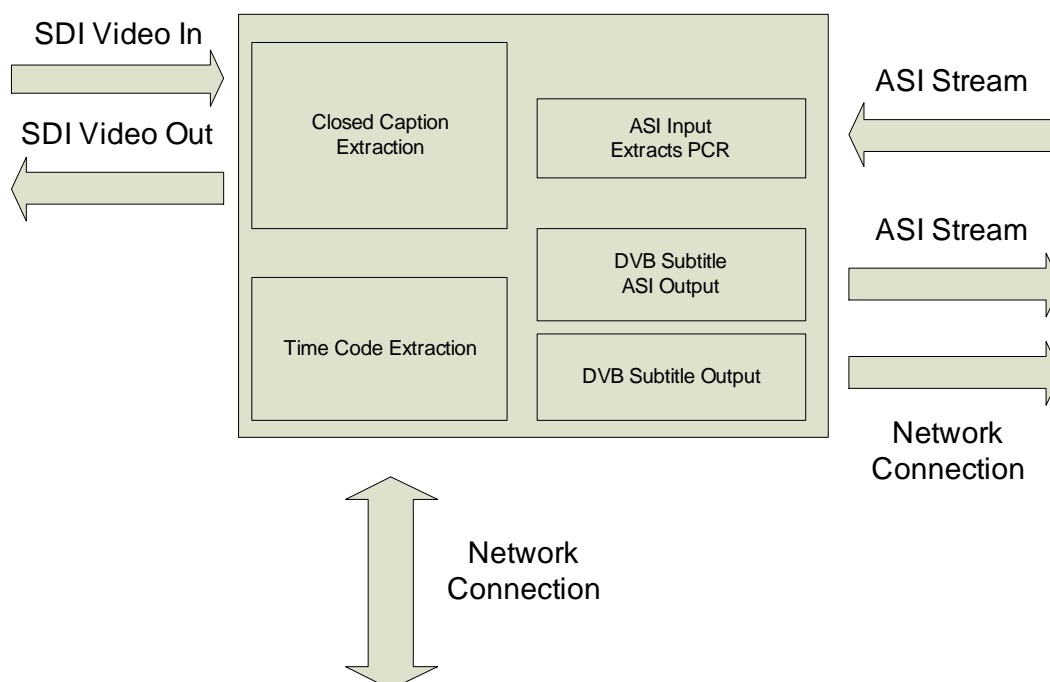
TransCast DVB Live decodes VBI closed captions (such as Teletext) from the SDI input signal, and creates a DVB subtitle stream, in real time.

The solution is ideally suited to both large and small broadcasters and transmission centres

Key features

- Automatically extracts VBI, World System Teletext subtitles from a SDI input signal.
- Option of ASI or UDP output
- DVB subtitles can be inserted as Bit Map images or raw text data such as an ASCII string
- Multi-language option
- Power fail by-pass on video input signal

Architecture



PC requirements

Operating system - Microsoft Windows 7 (preferably 64bit) or Windows 2008 R2 server.

The PC hardware should have the following recommended minimum specification: Intel i5 or dual-core Xeon processor at 2.5GHz (or equivalent AMD processor), 4GB RAM (8GB for 64bit OS).

Licensing

The application is protected by means of a hardware security dongle.

Associated products

TransCast DVB Live is one of a family of Closed Caption and Subtitling products available from Starfish Technologies Ltd. Together these products can be configured to create complete workflow solutions. Please see www.starfish.tv for more details.

All specifications and minimum requirements are subject to change without prior notice. Please check before purchase.